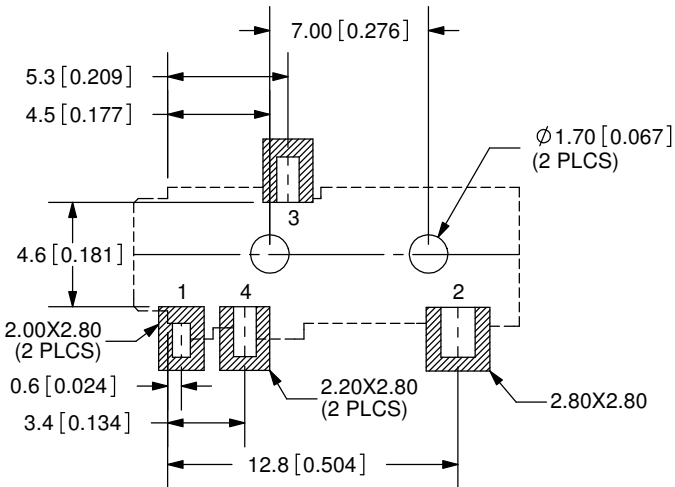
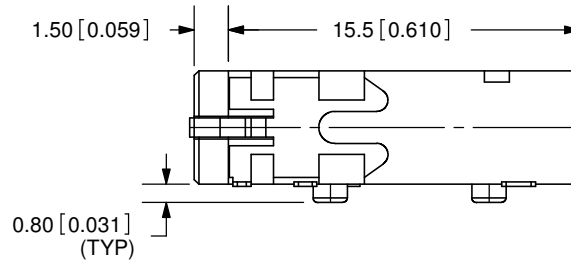
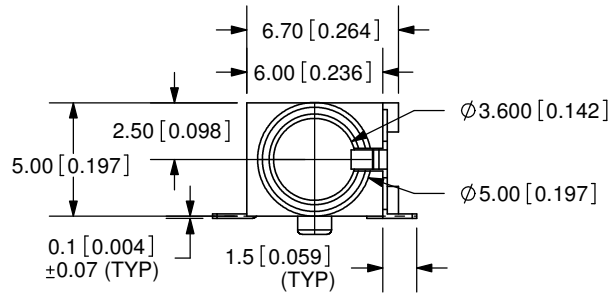
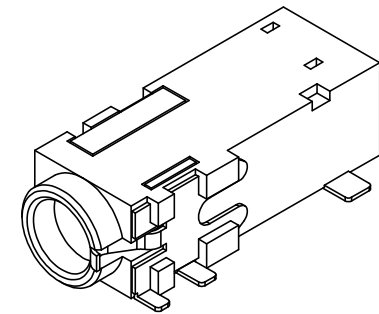
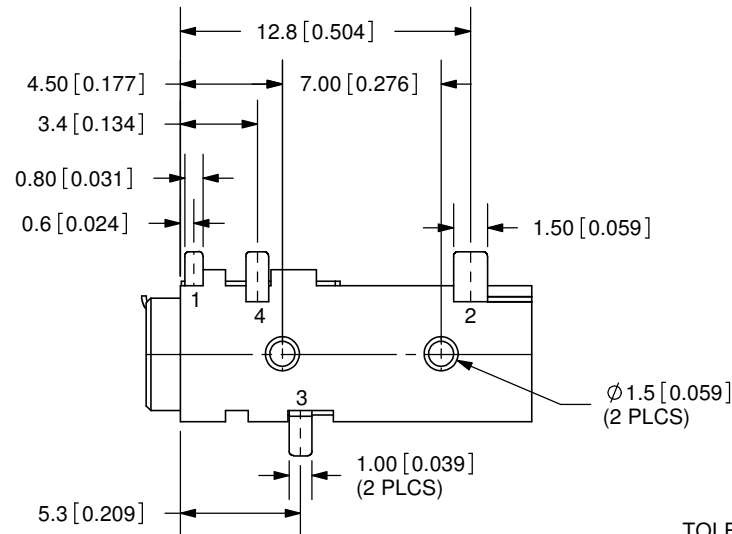


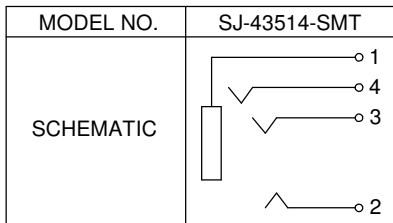
REV.	DESCRIPTION	DATE
A	NEW DRAWING	1/17/2006
B	Rear cover removed	3/20/2007



PCB LAYOUT  
TOP VIEW



TOLERANCE:  
X.X ±0.2mm  
X.XX ±0.1mm  
X.XXX ±0.05mm



**SPECIFICATIONS:**  
RATING: 12V DC @ 1A  
CONTACT RESISTANCE: 30m OHMS MAX  
INSULATION RESISTANCE: 50M OHMS MIN: 500V DC  
VOLTAGE WITHSTAND: 500V AC R.M.S. FOR 1 MINUTE  
LIFE: 5,000 CYCLES

	MATERIAL	PLATING
TERMINAL 1	Copper Alloy	Silver
TERMINAL 2	Copper Alloy	Silver
TERMINAL 3	Copper Alloy	Silver
TERMINAL 4	Copper Alloy	Silver
HOUSING	PA6T	



20050 SW 112th Ave.  
Tualatin, OR 97062  
Phone: 503-612-2300  
800-275-4899  
Fax: 503-612-2383  
Website: www.cui.com

TITLE:	SMT AUDIO JACK W/4 CONDUCTORS 3.5mm	REV:	B
PART NO.	SJ-43514-SMT	UNITS:	MM [INCHES]
DRAWN BY:	ZRJ	APPROVED BY:	
		SCALE:	3:1

PC FILE NAME:  
SJ-43514-SMT

COPYRIGHT 2007 BY CUI INC.